

Cable Kit 3179

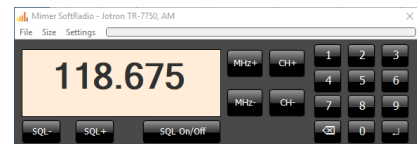
Interface 3009/45 - Airband

Interface 3009/37 - Marine

Mimer SoftRadio – Jotron TR-7750 / TR-7750C

Remote functionality

This cable kit will together with the Mimer Network Interface give remote control of the radios audio and PTT functions.



It will also present a virtual control head, to the operator, with remote control of channel change and squelch settings.



Radio programming

The interface is pre-set for the following radio default settings:

Rx Config/Audio/Line Output Level/0.0dBm

Tx Config/Audio/Input Source/Auto

Tx Config/Audio/Line Sensitivity/-10dBm

Tx Config/Keying/Source/Txgnd

See screen shots on next page.

Baud rate on both Tx and Rx units shall be set to 115 200.

Power Supply

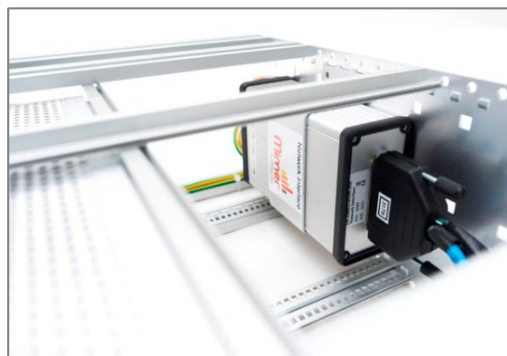
The interface is powered, through the cable kit, from the Tx-module.

Connection

The three cables are marked where they shall be connected. Also see pictures further down.



Cable Kit 3179



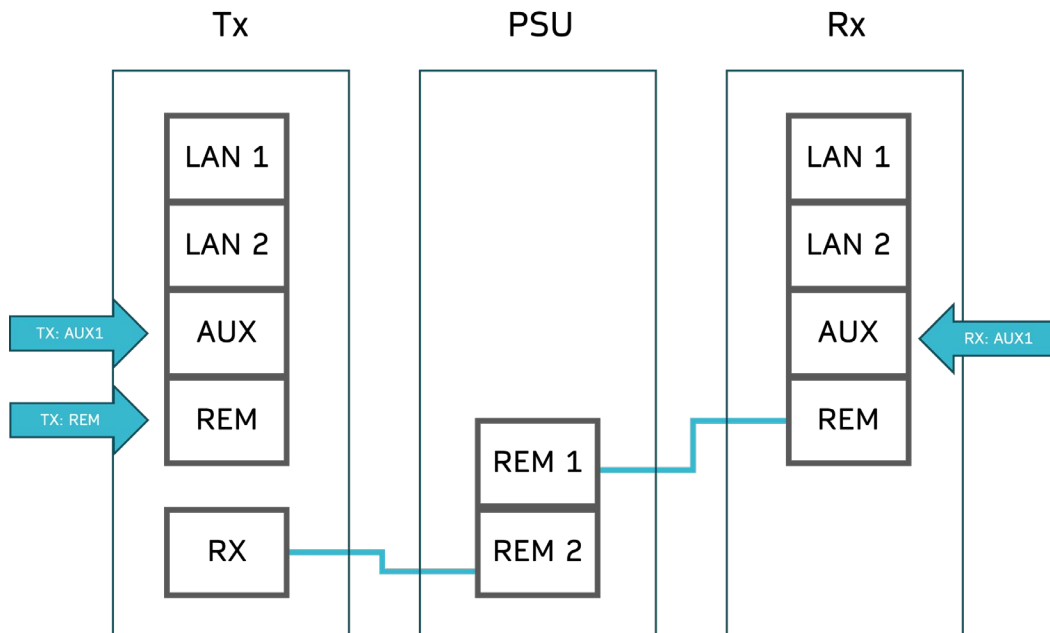
Interface mounting in the chassis of TR7750 with bracket 3106

Settings Screen shots

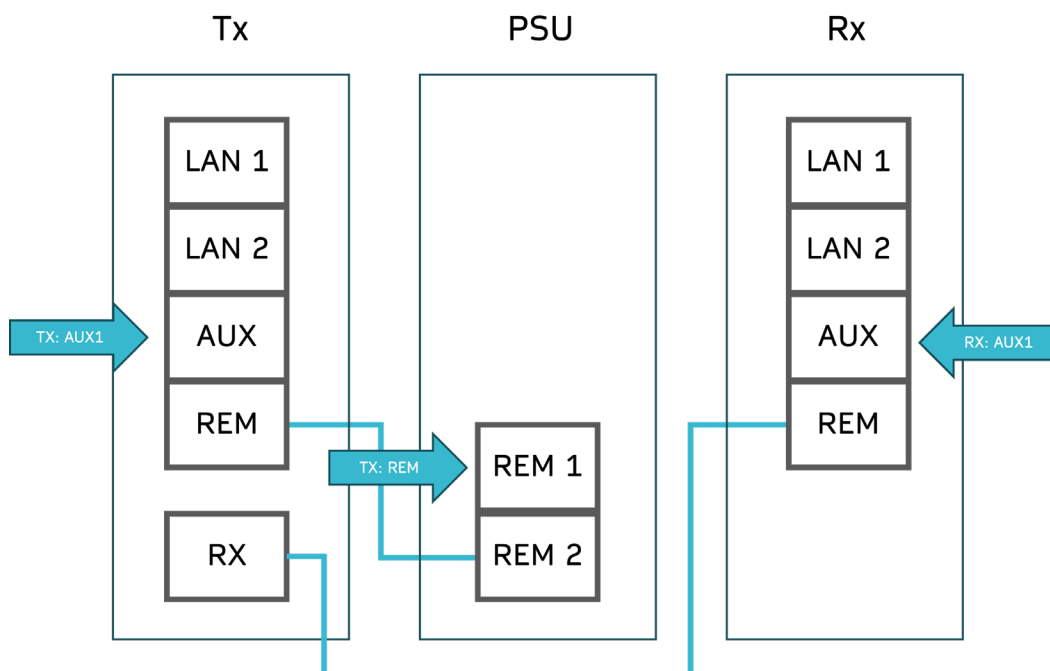


Cable connection in the back of the radio unit

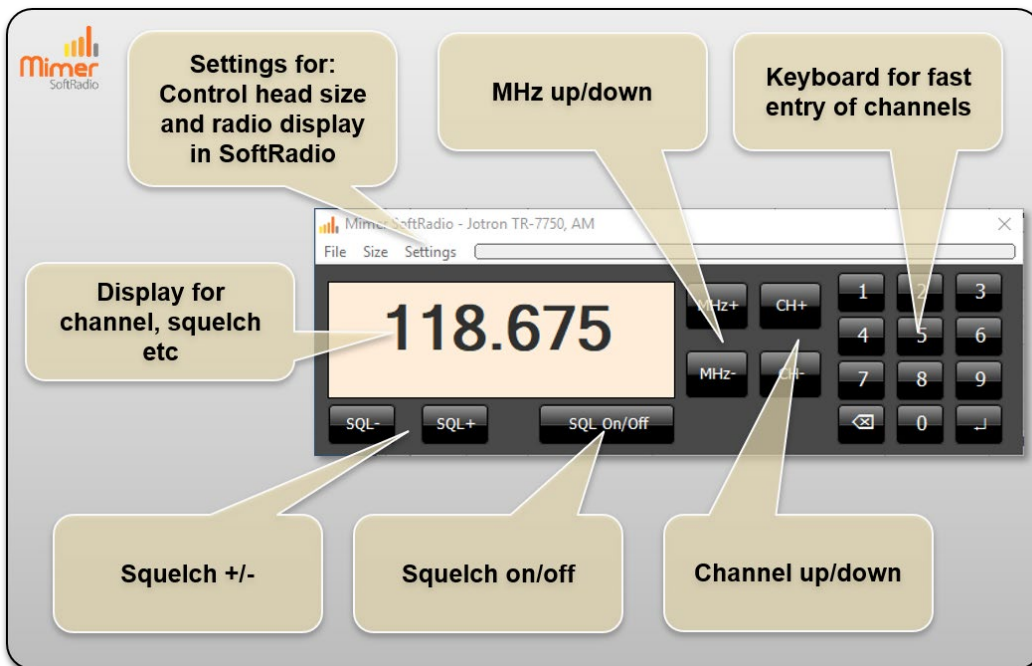
On some radios there is a break out box (Krone) connected in the needed connectors. This can be disconnected, if it is not needed.



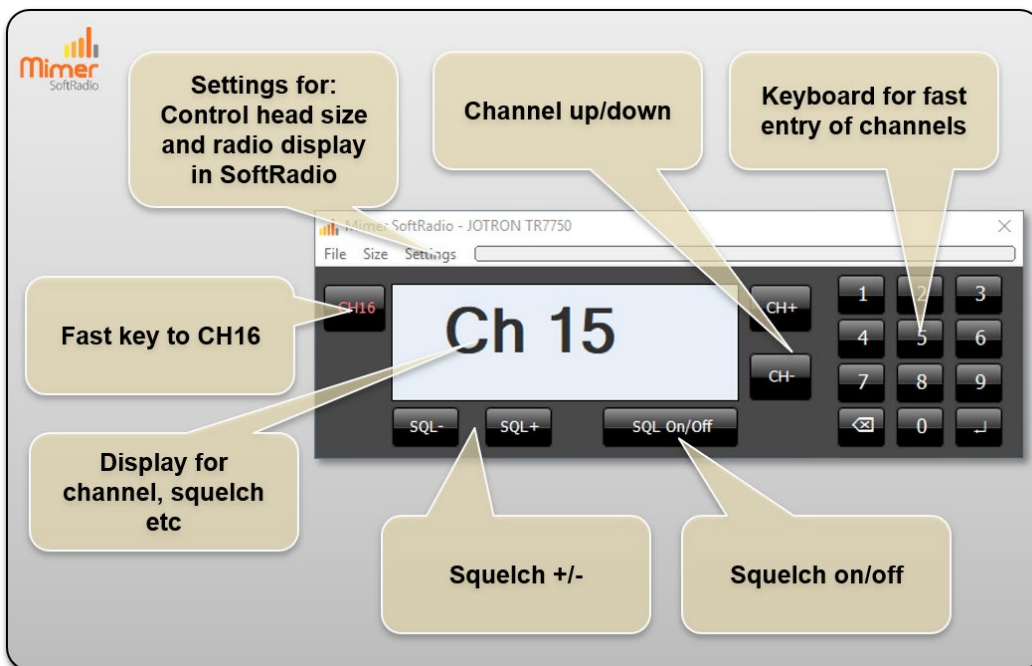
If the Tx REM port is occupied with a cable from the PSU (REM2). You can then connect the cable marked Tx REM to the PSU (REM1) instead.



Virtual Control Head functions



Airband version with MHz and fine tune keys



Marine version with fast key to CH16.