

Connect a JVC-Kenwood radio with 15 Pin HD connector to Mimer X-Link NX820 / NX3820 - series

Interface Power Supply +12VDC / max 0,3A.

Connection

The radio is connected through the back 15PIN connector.

See wiring diagram on the following pages.

Radio programming

GPIO Pin 10 shall be programmed for external PTT active low.
The External PTT (voice) shall be connected to the MI2 line.

Apart from that, no special programming is needed in the radio.

See screen shots on following pages.

Radio Hardware setting

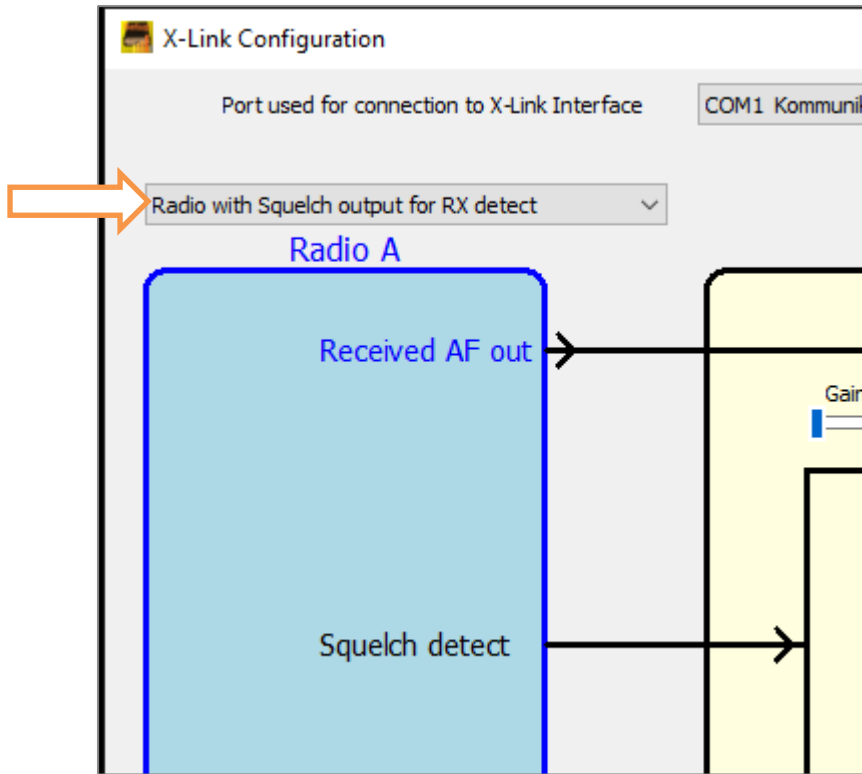
Two jumpers need to be moved from the factory setting in the radio.

See last page for details.

Settings in the X-Link interface

Select the proper settings for Radio A or Radio B depending on your connection.

- Radio with squelch output for Rx detect



Part of the Configuration software window

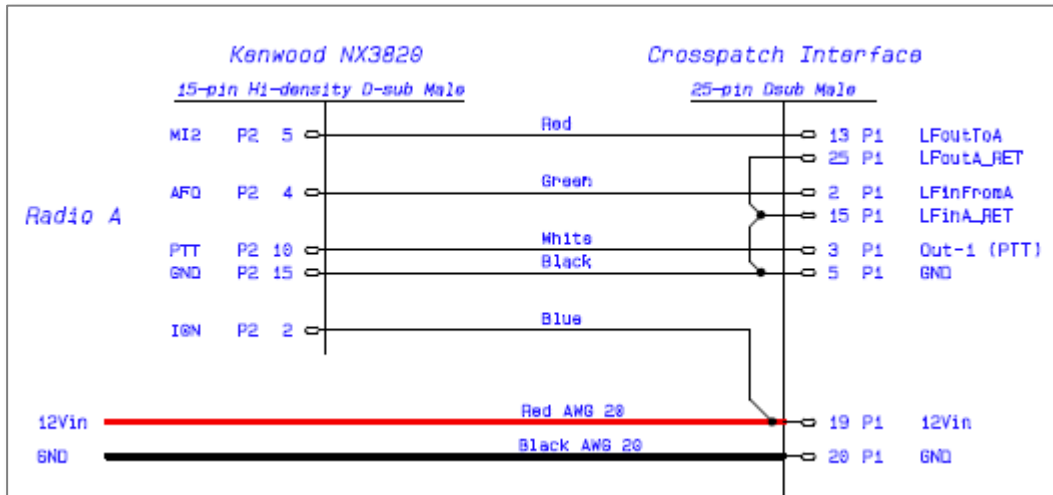
Check/adjust the audio levels in both directions in the interface so that the users hear the X-Link with the same level as when listening to other radios.

See the X-Link setup manual for details on setting the audio level.

Connection Cable:

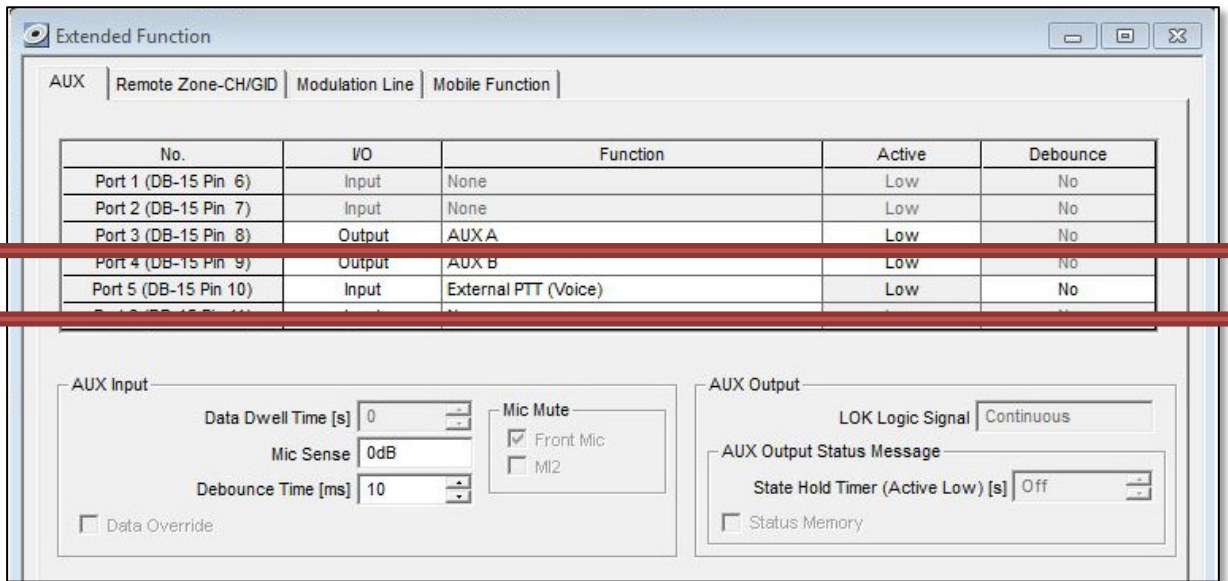
Select the proper configuration depending on if your radio will be connected as Radio A or Radio B to the X-Link interface.

In the drawing below the radio is connected as Radio A.



Screen shots from the radios programming software (NX720/820)

Microphone and PTT settings



Extended Function

AUX | Remote Zone-CH/GID | Modulation Line | Mobile Function

No.	I/O	Function	Active	Debounce
Port 1 (DB-15 Pin 6)	Input	None	Low	No
Port 2 (DB-15 Pin 7)	Input	None	Low	No
Port 3 (DB-15 Pin 8)	Output	AUX A	Low	No
Port 4 (DB-15 Pin 9)	Output	AUX B	Low	No
Port 5 (DB-15 Pin 10)	Input	External PTT (Voice)	Low	No

AUX Input

Data Dwell Time [s] 0

Mic Sense 0dB

Debounce Time [ms] 10

Data Override

Mic Mute

Front Mic

M12

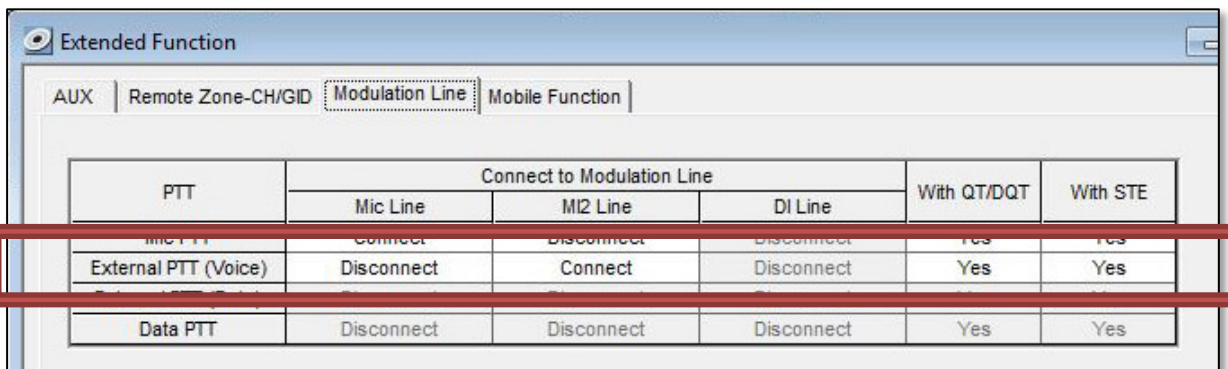
AUX Output

LOK Logic Signal Continuous

AUX Output Status Message

State Hold Timer (Active Low) [s] Off

Status Memory



Extended Function

AUX | Remote Zone-CH/GID | Modulation Line | Mobile Function

PTT	Connect to Modulation Line			With QT/DQT	With STE
	Mic Line	M12 Line	DI Line		
mic PTT	Connect	Disconnect	Disconnect	Yes	Yes
External PTT (Voice)	Disconnect	Connect	Disconnect	Yes	Yes
Data PTT	Disconnect	Disconnect	Disconnect	Yes	Yes

Changing of Signal Type NX720/820

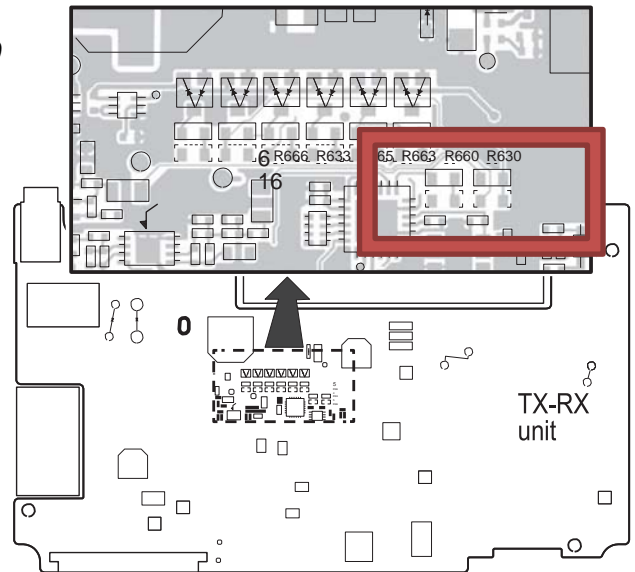
Information from the service manual of NX-720

Change signal output of D-SUB connector from DEO to AFO

The output (pin4) of D-SUB 15-pin connector is configured at the DEO as the default value. Remove the R796 chip jumper and solder the clip jumper to R798.

Change signal input of D-SUB connector from DI to MI2

The input (pin5) of D-SUB 15-pin connector is configured at the DI as the default value. Remove the R797 chip jumper and solder the chip jumper to R799.



Changing of Signal Type NX3720/3820

Information from the service manual of NX-3720

2.3.6 Changing of Signal Type

2.3.6.1 Change signal output of D-SUB connector from DEO to AFO

The output (4pin) of D-SUB 15-pin connector is configured at the DEO as the default value.

Remove the R813 chip jumper and solder the clip jumper to R812.

2.3.6.2 Change signal input of D-SUB connector from DI to MI2

The input (5pin) of D-SUB 15-pin connector is configured at the DI as the default value.

Remove the R859 chip jumper and solder the chip jumper to R801.

