

X-Link Cable kit 3359

Connect a Motorola TLK150 to Mimer X-Link MK2

Also refer to the X-Link setup manual.

Interface Power Supply

12VDC / max 0,3A.

Power connection through separate cable delivered with the interface. Red is positive.

Programming the radio

- All alert tones shall be turned off
- External speaker shall be selected
- Power on configuration, shall be set for Ignition sense

See photos further down.

Settings are done both from the radios front panel and in the web portal.

Connecting the radio

The radio is connected through the back connector.

Volume setting

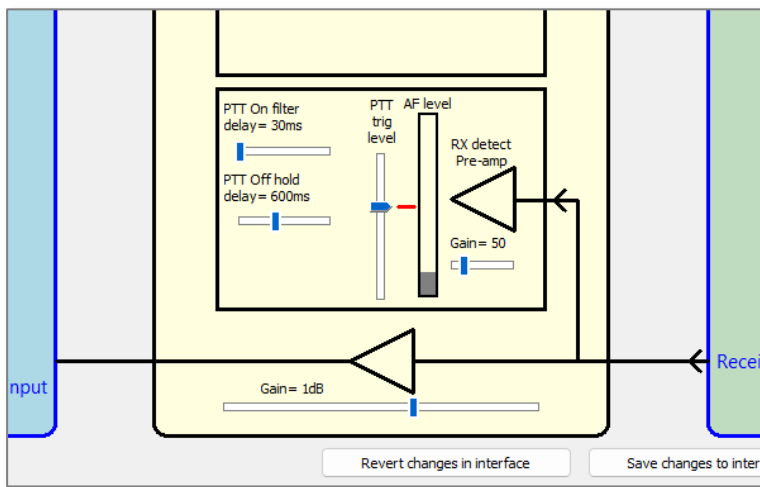
The volume of the radio unit shall be set to "half" volume.

Settings in the X-Link interface

Select the proper settings for Radio A or Radio B depending on your connection.

- Radio with AF level sense for Rx detect.
- Set the detect level etc.
Details can be found in the setup manual.

The levels in the picture are our recommendations. You might find that your radio needs adjustments.



Part of the Configuration software window

Check/adjust the audio levels in both directions in the interface so that the users can hear the X-Link with the same level as when listening to other radios.

See the X-Link setup manual for details on setting the audio level.

Note: The TLK150 has a hang time, about 10sec, after reception with the speaker output open, giving white noise. The trig level for PTT needs to be set above this noise level. Otherwise, the PTT on the other radio will also hang on, and the other system can't reply to the transmission.

Settings in the TLK150

From the front panel



From the setup web page

LA SOLUTIONS

Settings

	Reported	Desired
Language	English US (en-us)	English US (en-us) <input type="text"/>
Location	Off	<input type="checkbox"/>
WiFi	Off	<input type="checkbox"/>
Cellular	On	<input checked="" type="checkbox"/>
All Alert Tones	Off	<input type="checkbox"/>
Brightness Level	5	5 <input type="text"/>
Device Mode	user	user <input type="text"/>
Maintenance Mode PW	-	<input type="text"/>
Voice Announcements	Off	<input type="checkbox"/>
Bluetooth	Off	<input type="checkbox"/>
Scan	Off	<input type="checkbox"/>
Do Not Disturb	Off	<input type="checkbox"/>
Auto PowerDown Timer	Timer Disabled	0 <input type="text"/>
PowerOn Config	Power Button Or Ignition	Power Button Or Ignition <input type="text"/>

Menu Visibility

Two blue arrows point to the 'All Alert Tones' and 'PowerOn Config' rows in the table.