

X-Link Cable kit 3371

**Connect an Ericsson Aurora / Niros TRX3001
to Mimer X-Link MK2**

Also refer to the X-Link setup manual.

Interface Power Supply

12VDC / max 0,3A.

Power connection through separate cable delivered with the interface. Red is positive.

Programming the radio

No special programming is needed in the radio.

Connecting the radio

The radio is connected through either the microphone connector on the control head, or through the back connector "Microphone 2".

Volume setting

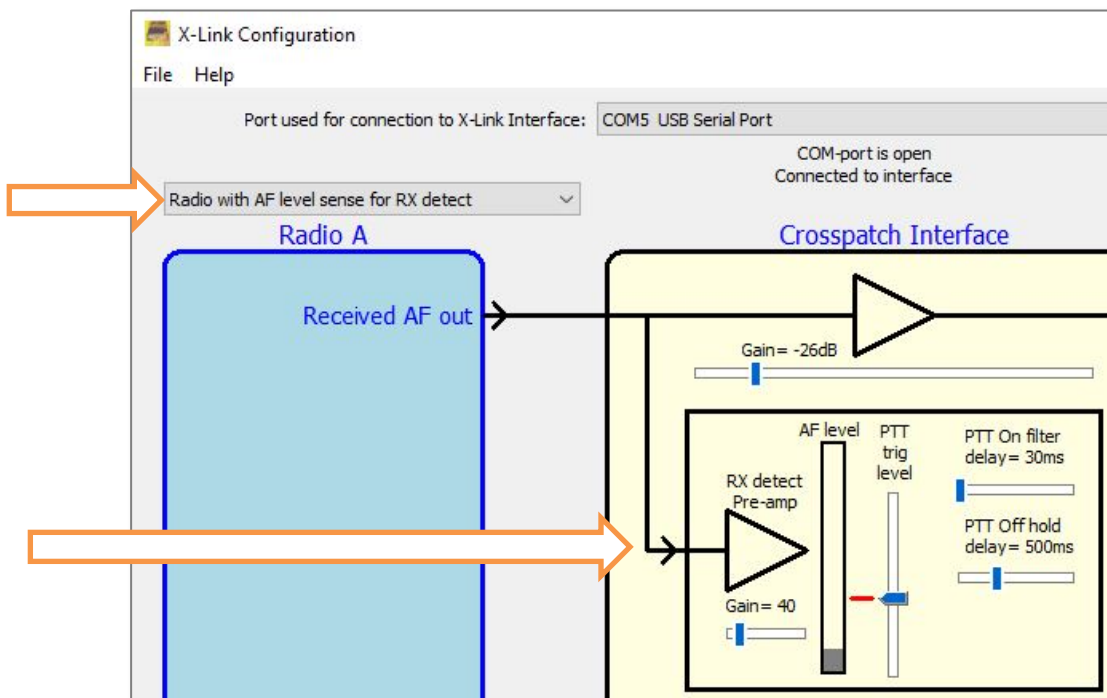
The volume of the radio shall be set to 9 steps above zero.

Settings in the X-Link interface

Select the proper settings for Radio A or Radio B depending on your connection.

- Radio with AF level sense for Rx detect.
- Set the detect level etc.
Details can be found in the setup manual.

The levels in the picture are our recommendations. You might find that your radio needs adjustments.



Part of the Configuration software window

Check/adjust the audio levels in both directions in the interface so that the users can hear the X-Link with the same level as when listening to other radios.

See the X-Link setup manual for details on setting the audio level.