

X-Link Cable kit 3372

Connect a Vokkero Wi to Mimer X-Link MK2

Also refer to the X-Link setup manual.

Interface Power Supply

12VDC / max 0,3A.

Power connection through separate cable delivered with the interface. Red is positive.

Be careful not to use the power intended for the Vokkero Interface, since it runs on 24V. The Interface will break!

Vokkero “WI” 4-Wire Interface Programming

No special programming needed.

Audio detection

The Vokkero unit is full duplex, but the X-Link Interface works in one direction at a time, most likely the radio that is connected to the X-Link is also a simplex or semi duplex radio.

This means that the side of the X-Link that detects audio first, will be the one that admits audio to go through and when there is a radio connected, also trigger the PTT.

If there is constant audio coming from the Vokkero (people talking all the time), the X-Link will trigger the radios PTT without break. This means that the radio users will never have a chance to answer.

It is important to fine tune the trigger level and the hang time of the “vox-function”, so that the above issue can be kept to a minimum.

Connection

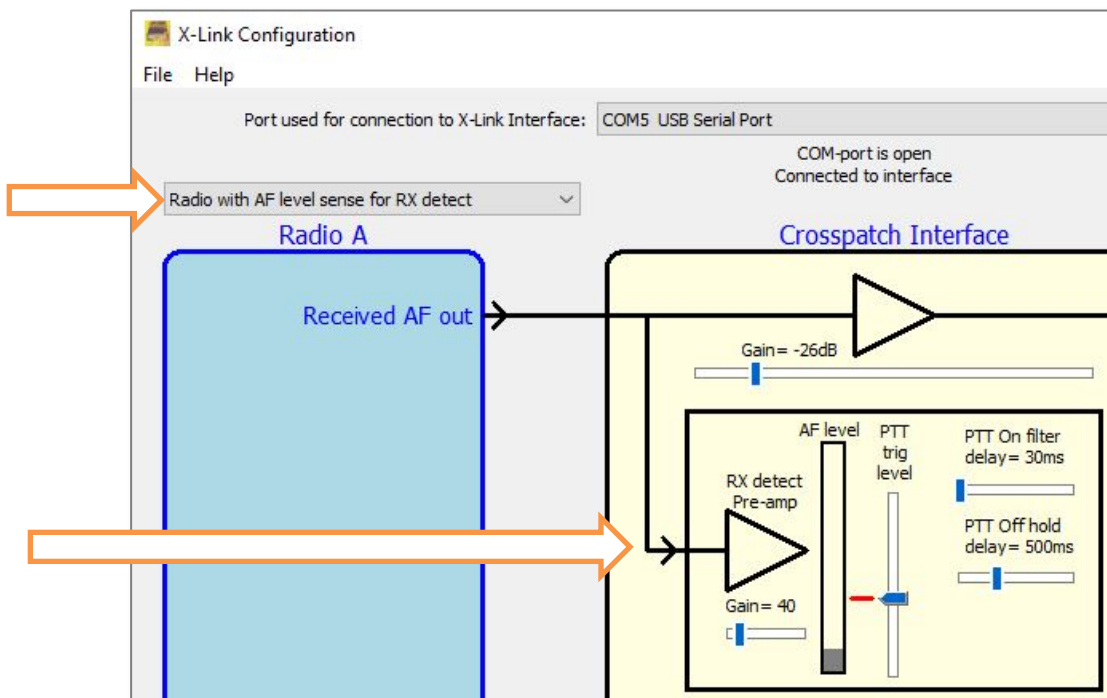
The 4-Wire Interface is connected through the two XLR connectors.

Settings in the X-Link interface

Select the proper settings for Radio A or Radio B depending on your connection.

- Radio with AF level sense for Rx detect.
- Set the detect level etc.
Details can be found in the setup manual.

The levels in the picture are our recommendations. You might find that your radio needs adjustments.



Part of the Configuration software window

Check/adjust the audio levels in both directions in the interface so that the users can hear the X-Link with the same level as when listening to other radios.

See the X-Link setup manual for details on setting the audio level.